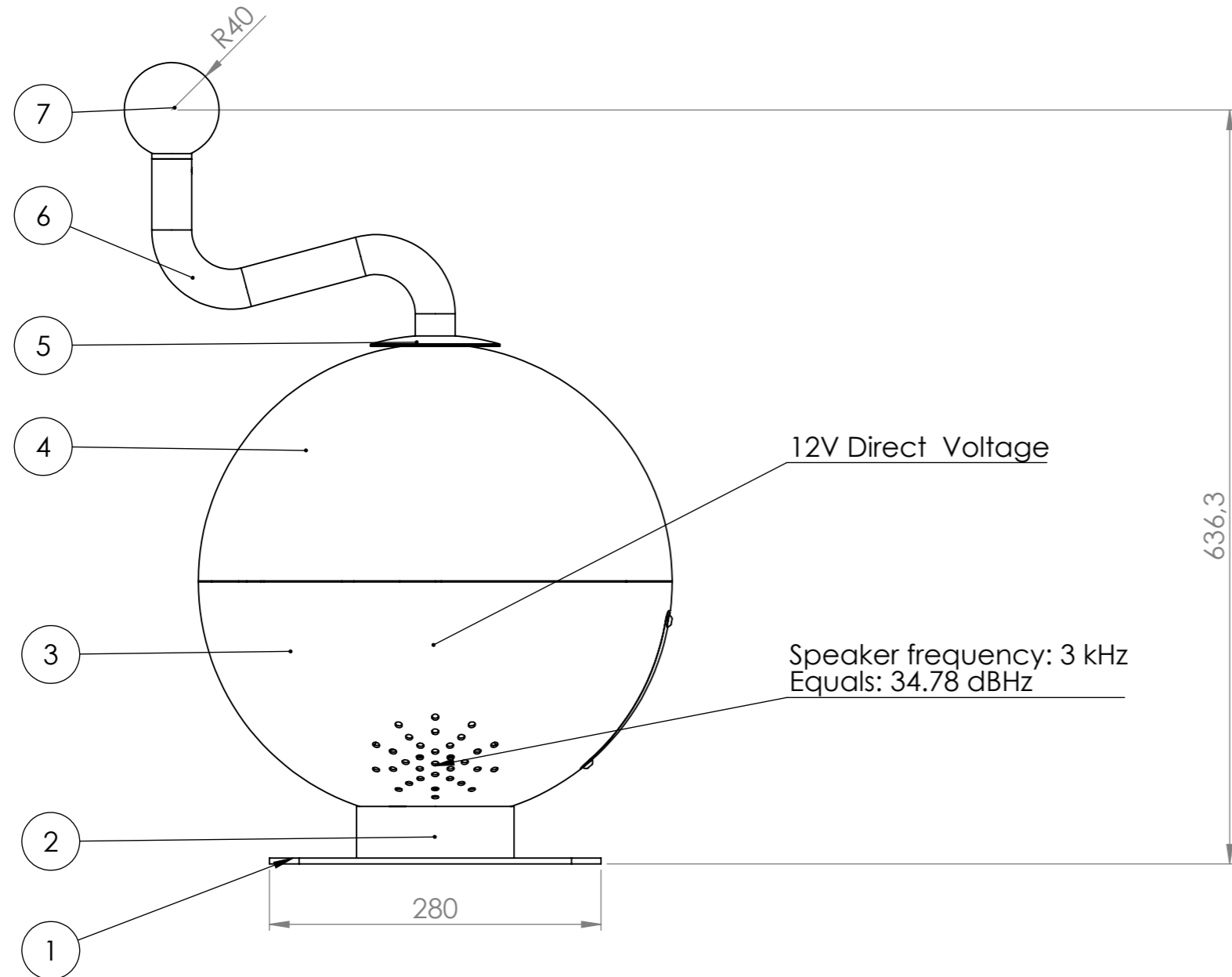


Required Safety: Obstacle Free Zone: 150 cm around the MuicBall



Item No	Part Number	Description	Materials	Colour
1	10200	Bottom Plate	Coated Steel	Grey
2	10188	Collar	Coated Steel	Grey
3	10175	Bottom Half	Coated Steel	Any RAL*
4	10178	Upper Half	Coated Steel	Any RAL*
5	10110	Cover Disc	Coated Steel	Grey
6	20003	Crank	Coated Steel	Grey
7	20004	Crank Ball	Coated Steel	Any RAL*

*When placing your order you are free to choose whatever colour you like on the 'ANY RAL' parts (a combination of colours is possible (e.g. Red upper half, yellow lower half). Please communicate your wishes before placing your order.

DO NOT SCALE DRAWING	DWG NO.
DEBURR AND BREAK SHARP EDGES	
TITLE: MB_Technical_Specification_Sheet	
MATERIAL:	UNLESS OTHERWISE SPECIFIED DIMENSIONS ARE IN MILLIMETERS
WEIGHT: 3000 grams	SCALE:1:5
SHEET 1 OF 1	

A3